

MODEL DESIGNATION: Simonton Impact Resistant Fixed Twin Series 42-19 Vinyl Window

MAXIMUM OVERALL NOMINAL SIZE: Twin up to 73" X 74"

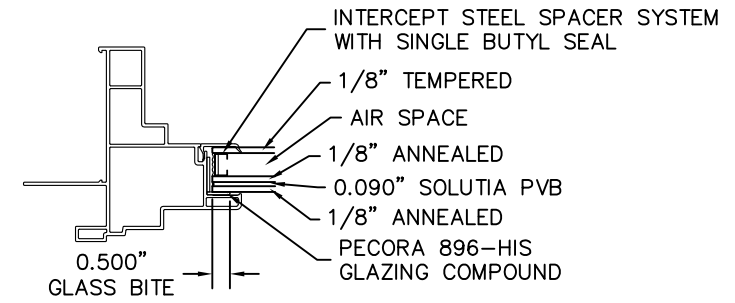
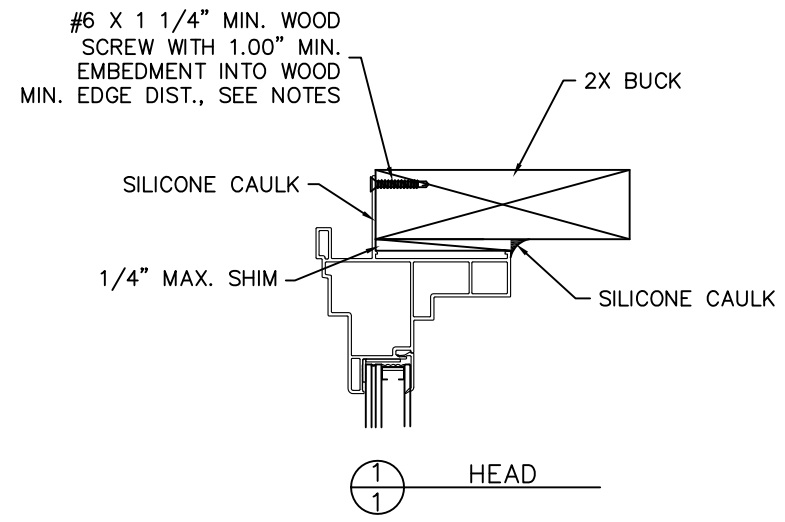
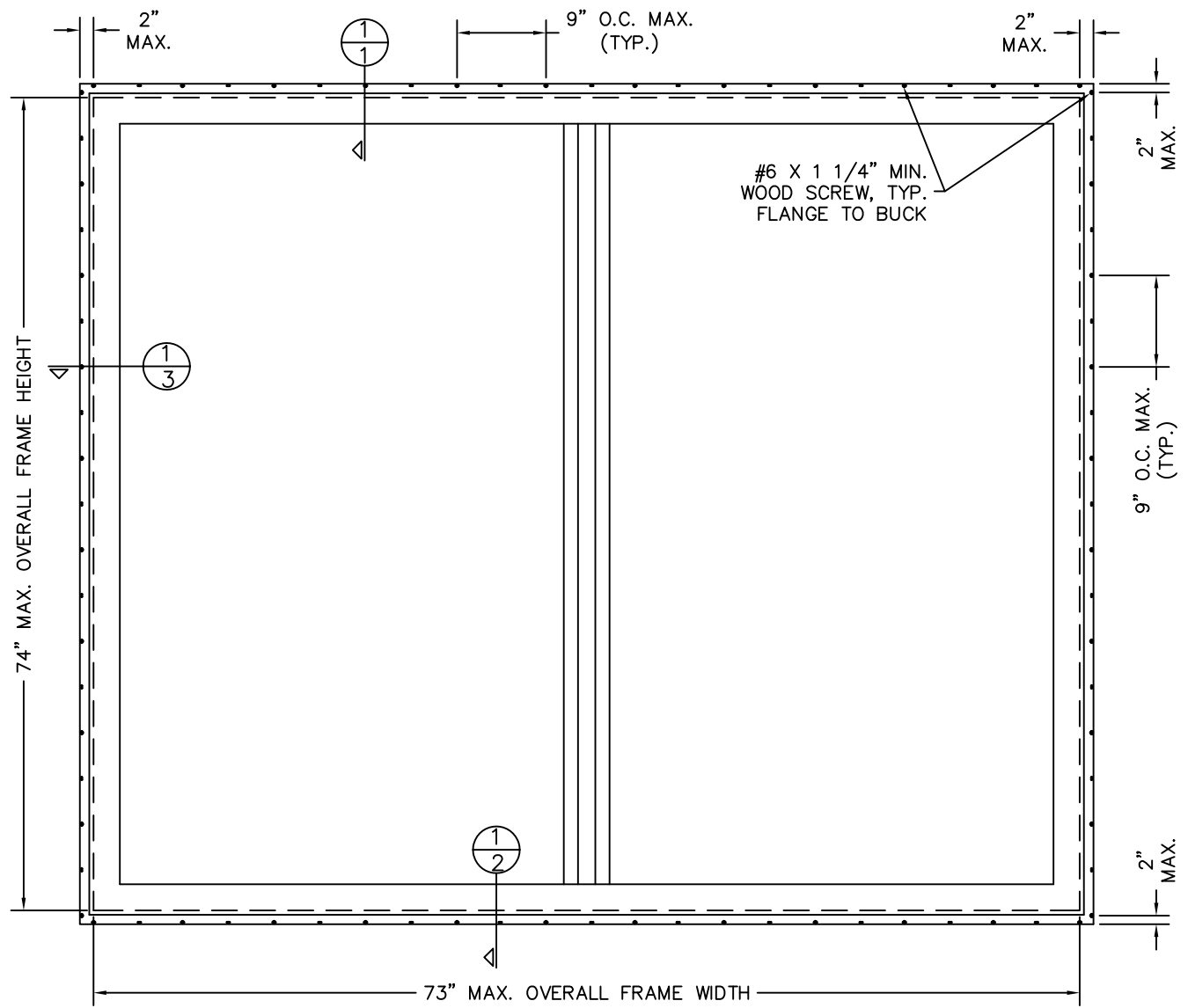
DESIGN PRESSURE RATING: Positive: 50.0 PSF
Negative: 50.0 PSF

USABLE CONFIGURATIONS: 00

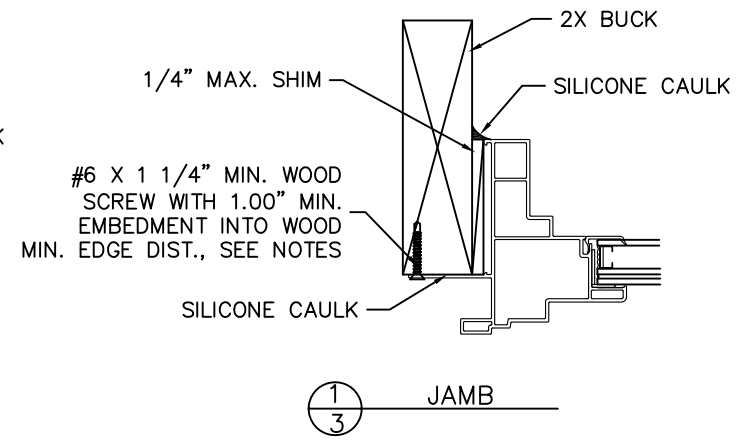
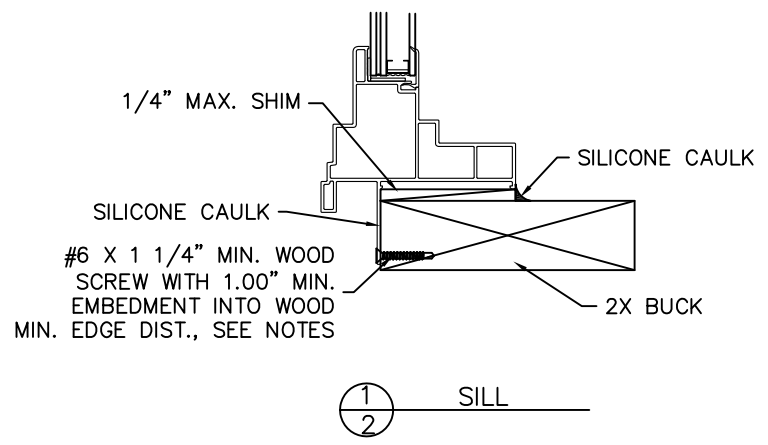
GENERAL DESCRIPTION: The head, sill, and side jambs are extruded PVC. The wall thickness through which the anchor screw penetrates is a minimum of 0.070".

NO P.E. SEAL REQUIRED
INSTALLATION SUPPORTED
BY AAMA TEST REPORTS

REV. #	REVISIONS:	REVISED BY:	DATE:
1	ADDED MIN. EDGE DIST. NOTE.	B.J.S.	6/17/15
2	UPDATED FOR 7TH EDITION 2020 FBC.	LMH	12/06/20
.	.	.	.
.	.	.	.
.	.	.	.



7/8" INSULATED TEMPERED/ANNEALED IMPACT GLASS WITH 0.090" PVB INTERLAYER



NOTES:

1. This installation has been evaluated for use in locations adhering to the Florida Building Code and where pressure requirements as determined by ASCE 7 Minimum Design Loads for Buildings and Other Structures do not exceed the design pressure ratings herein, for use outside the H.V.H.Z.
2. All exterior perimeter surfaces of the window must be caulked. Interior caulking is optional unless noted otherwise.
3. Anchors shall be as specified and spaced as shown. Anchor embedment to base material shall be beyond wall dressing or stucco and into wood.
4. The responsibility for selection of Simonton products to meet any applicable local laws, building codes, ordinances, or other safety requirements rests solely with the architect, building owner, or contractor.
5. Shims are optional. Maximum shim stack is 1/4".
6. Wood bucks (by others) must be engineered and anchored properly to transfer loads to the structure.
7. When used in areas requiring impact protection this product DOES NOT REQUIRE the use of approved impact resistant shutters or other external protection.
8. Flashing should be applied using the ASTM E 2112 methodology appropriate for the opening into which the window is being installed.
9. Glazing shall comply with ASTM E 1300.
10. Installation screws must be at least 1/2" from edge of the wood.

<p>DISCLOSURE STATEMENT</p> <p>This document is the property of Simonton Windows, which retains all proprietary and other rights to its subject matter. This document is provided to the recipient on the expressed condition that it is not to be disclosed, reproduced in whole or part, nor used in conjunction with the design, manufacture or repair of goods for anyone other than Simonton Windows without its consent. This restriction does not limit the recipient's rights to utilize information contained in this document which is properly obtained from another source.</p>	<p>MATERIAL:</p> <p>RMS FINISH: _____</p> <p>ALLOY & TEMPER: _____</p> <p>WEIGHT: _____ VOLUME: _____</p> <p>SURFACE AREA: _____ PERIMETER: _____</p> <p>FINISH TREATMENT: _____</p>		<p>Dimensional Tolerances Unless Otherwise Specified</p> <p>Decimals Angles</p> <p>.X ± .03 .XX ± .01 .XXX ± .005</p> <p>0° 30 min.</p>	<p>SIMONTON WINDOWS</p> <p>1 Cochrane Avenue Pennsboro, WV 26415</p>	<p>SIZE: DRAWING NO.: REV.:</p> <p>B IN0552 2</p>
	<p>EXCEPT AS NOTED</p>				<p>DRAWN BY: DATE:</p> <p>T.D.D. 05/02/12</p>
	<p>FILE: FL 228</p>				<p>CHECKED BY: DATE:</p>
	<p>SCALE: FIT SHEET: 1 of 1</p>				<p>APPR'VD BY: DATE:</p>
	<p>SERIES: 42-19 IMPACT RESISTANT FIXED WINDOW TWIN</p>				<p>TITLE: 2X BUCK INSTALLATION</p>